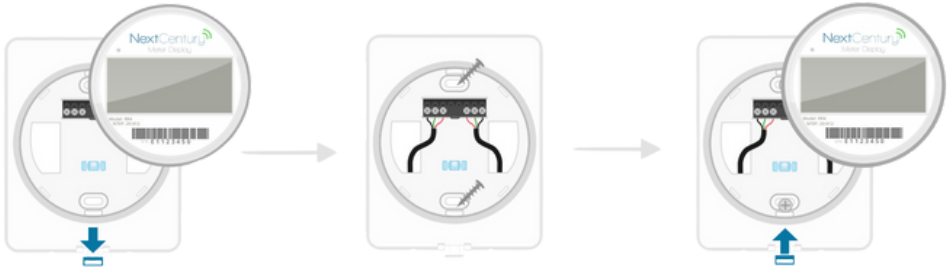




Quickstart Guide



Pull Down Security Tab to Remove Remote Reader from Mounting Plate

Secure the Mounting Plate and Connect Meter(s)

Connect Remote Reader to Mounting Plate Then Lock Security Tab

Installation Steps

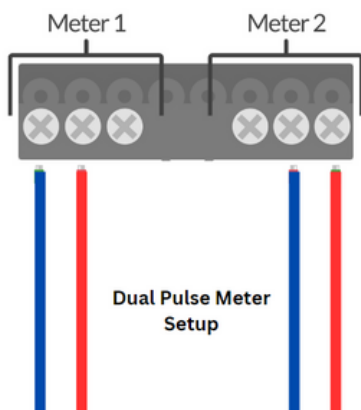
- 1) Disconnect the Remote Reader from the Mounting Plate. **Remember to first pull down on the Mounting Plate Security Tab.**
- 2) Install the Mounting Plate using the anchors and #6-20 screws, or use the #6-32 screws to install on a single gang wall box.
- 3) Connect the wire output from one or two meters to the Remote Reader Mounting Plate (wiring instructions on the other side of this guide).
- 4) The Remote Reader ships with a default configuration to read a single pulse-type meter. To program the Remote Reader for other configurations use the NCSS Mobile App's Direct Connect tool.
- 5) Test the meter connection:
 - For pulse meters, ensure the pulse-count increments when a pulse is sent from the connected meter.
 - For encoder meters, ensure the proper read is displayed. It may be necessary to tap the display or swipe a magnet to get the latest encoder meter read.

RR4 Direct Connect
Instructions online





Wiring Guide



Wiring Guide

An interactive Wiring Guide is also available through the NextCentury Mobile App (Android and iOS Support).

Dual Meter+™ Technology

Meter+™ Technology has been developed to allow a single device to connect to virtually all modern meter outputs. These include a variety of different pulse-out meters as well as encoded output meters. Meter+™ Technology supports Neptune, Sensus, GWF, and Elster/AMCO 3-wire protocols. Simply wire the meter and program the Remote Reader with the applicable configuration. The Remote Reader includes two Meter+™ Technology ports, allowing for a large variety of configurations.

Common Meter Types



Elster V100

3 Red Rollers - Multiplier = 5

4 Red Rollers - Multiplier = .5

Use **Blue** and **Red** Wire



RMC Multi-Jet

Default - Multiplier = 10



Elster S100/S110

Default - Multiplier = 10



B Meter GSD5

Default - Multiplier = 10



Programming

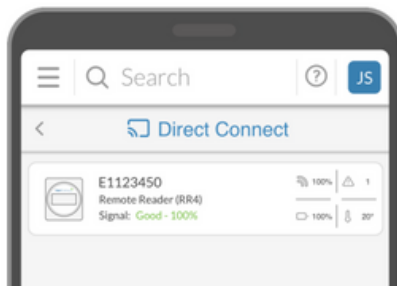
Device activation is performed by swiping a magnet past the right side of the Remote Reader.

- A gear icon will appear on the display
- The Remote Reader will now be available to Direct Connect to your mobile device.



A magnet is moved past the activation zone highlighted above.

Direct Connect



The Remote Reader is selected on the mobile app and configuration changes can then be made.

Meter 1	
Read	0 Liters >
Utility Type	All Water >
Signal Type	Pulse >
Unit of Measure	Liters >
Multiplier	5
IMR	0
Pulse Out	<input type="checkbox"/>

- Current Reading
- Set Utility Type to Label Channel
- Set to Pulse
- Set unit to Litres or M3 (kilolitres)
- Set how many pulses per litre
- Set initial Meter Reading
- Pulse out option (Single Meter Only)

- Initial meter readings insure the display matches the reading on the physical meter
- There is an option to add a second meter below this screen. The Utility Type label is used to distinguish between the two channels.

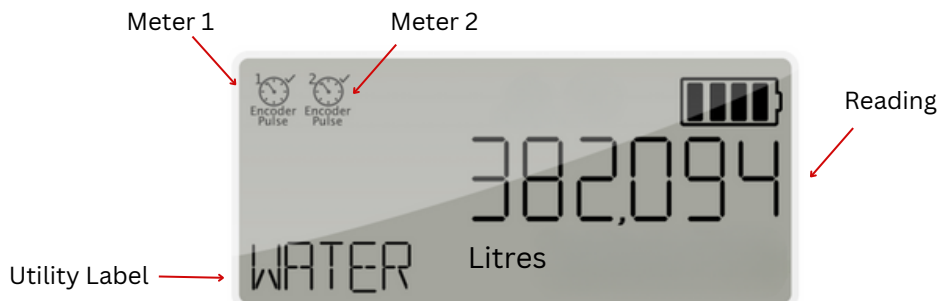
Mobile App Download





Dual Meter Use

Meter Indicators



The Display will cycle between Meter 1 and Meter 2 every 5 Seconds
Check the indicators at the top left of the screen to see which meter reading is currently being displayed.

Utility label can be used to differentiate between hot and cold water supply or Multiple types such as gas, electricity



Use the provided spaces to record which meter is connected to which channel.
You can use the meter serial number or unit number.