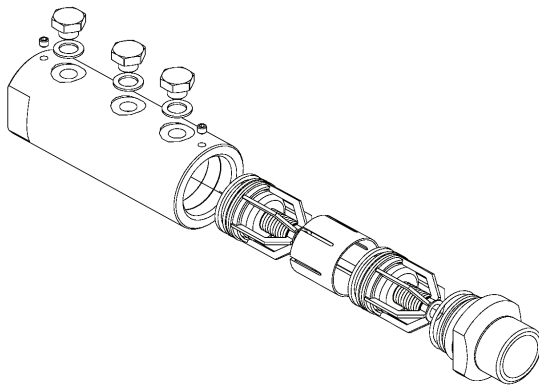


# STANDPIPE BACKFLOW - 25MM

## BACKFLOW FEATURES

- Lightweight aluminium construction
- Strong and Robust
- Blanking caps to protect test ports
- Specifically designed for Standpipe use



## SPECIFICATIONS

RMC - 25MM BACKFLOW - N10200	
Weight	1.4kg
Body	Aluminium
Type	Double Check
Testable	Yes
Outlet Thread	BSP 25mm
Approvals	AS/NZS 2845.1
	Watermark

