

## OVERVIEW

The new woltman silver turbo - WST<sub>SB</sub> is the latest state of the art meter developed by ARAD's R & D department.

Advanced methods and technologies were implemented in order to present a product much superior to those found in the market today.



## FEATURES

- The WST has a wide measuring rate that enables it to serve a broader range of applications.
- No sensitivity to working conditions like vibrations
- No sensitivity to humidity conditions (even if dry chamber is full of water)
- The worm assembly is a separate kit which enables easy replacement if necessary.
- Resistance - Bearings and materials used in the WST have been proven to ensure long life expectancy.
- Pulse capable - 1/10, 1/100, 1/1000

## APPLICATIONS

Water supply networks, Agricultural applications and industrial use.

## AVAILABLE SIZES

2" - 12" (50mm to 300mm)

## STANDARDS

ISO4064, ANSI 150, Australian Length

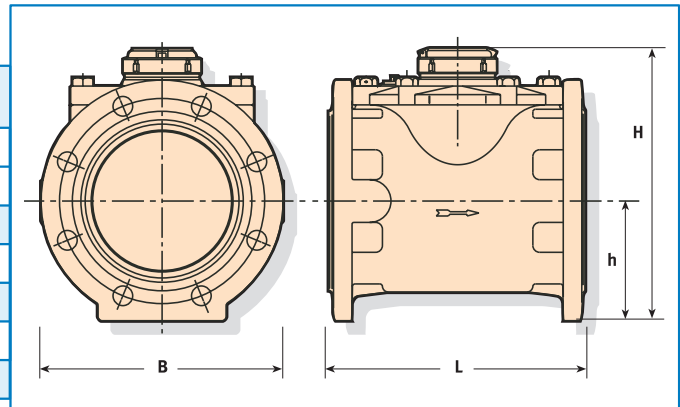
TECHNICAL SPECIFICATIONS	
Maximum Working Pressure	Standard - 16 Bar Upon request - 25 Bar
Maximum Liquid Temperature	60°C
Body	Cast Iron, Polyester coated
Connection	Flanged - ISO or ANSI 150

## Performance data:

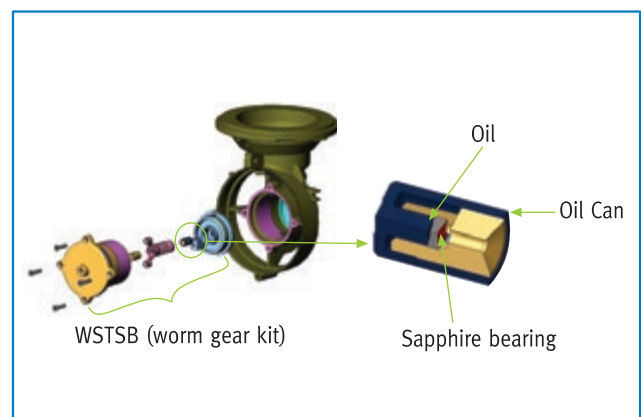
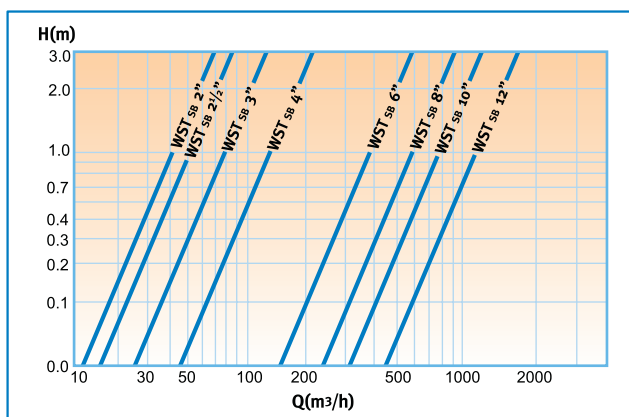
Model WST SB		Qmax Maximum flowrate (m <sup>3</sup> /h)	Qn ISO 4064 (m <sup>3</sup> /h)	Qn Nominal Flowrate (m <sup>3</sup> /h)	Qt Transitional Flowrate (m <sup>3</sup> /h)	Qmin Minimum Flowrate (m <sup>3</sup> /h)	Starting Flow (m <sup>3</sup> /h)	Maximum register capacity (m <sup>3</sup> )	Smallest readable unit (liter)	Accuracy between Qmax & Qt	Accuracy between Qt & Qmin
Nominal Size											
mm	inch										
50	2	100	15	50	0.7	0.3	0.15	10 <sup>6</sup>	1	±2%	±5%
65	2½	120	25	80	0.8	0.35	0.15	10 <sup>6</sup>	1		
80	3	170	40	120	0.8	0.5	0.25	10 <sup>6</sup>	1		
100	4	300	60	230	1.8	0.8	0.3	10 <sup>7</sup> /10 <sup>6</sup>	1/10		
150	6	410	150	260	3.5	2.5	0.8	10 <sup>7</sup> /10 <sup>6</sup>	1/10		
200	8	730	250	450	15	5	2	10 <sup>8</sup>	100		
250	10	1400	400	750	15	6	3	10 <sup>8</sup>	100		
300	12	2000	600	1000	40	10	4	10 <sup>8</sup>	100		

## Dimensions

Model	WST SB								
Nominal size	(mm)	50	65	80	100	150	200	250	300
	(inch)	2	2½	3	4	6	8	10	12
L – Length (mm)		200	200	230	250	300	350	450	500
B – Width (mm)		165	185	200	200	283	340	406	460
H – Height (mm)		214	228	234	250	310	338	438	465
h – Height (mm)		70	84	90	106	130	158	258	330
Weight (kg)		12	13	15.5	19	35	47	75	95



## Head Loss Curve



## Installation Requirements

- The water meter may be installed in any position. For non-horizontal positions the flow shall be upwards.
- The meter shall be full of water while operating.
- Prior to installation of a meter, the pipeline shall be thoroughly flushed.
- Straight pipe section of the same diameter D as the meter, having length of 5D and 2D for 2"-6" and 10D and 5D for 8"-12" shall be installed upstream and downstream of the meter respectively.